

Spare parts list
BIOBASIC RR410

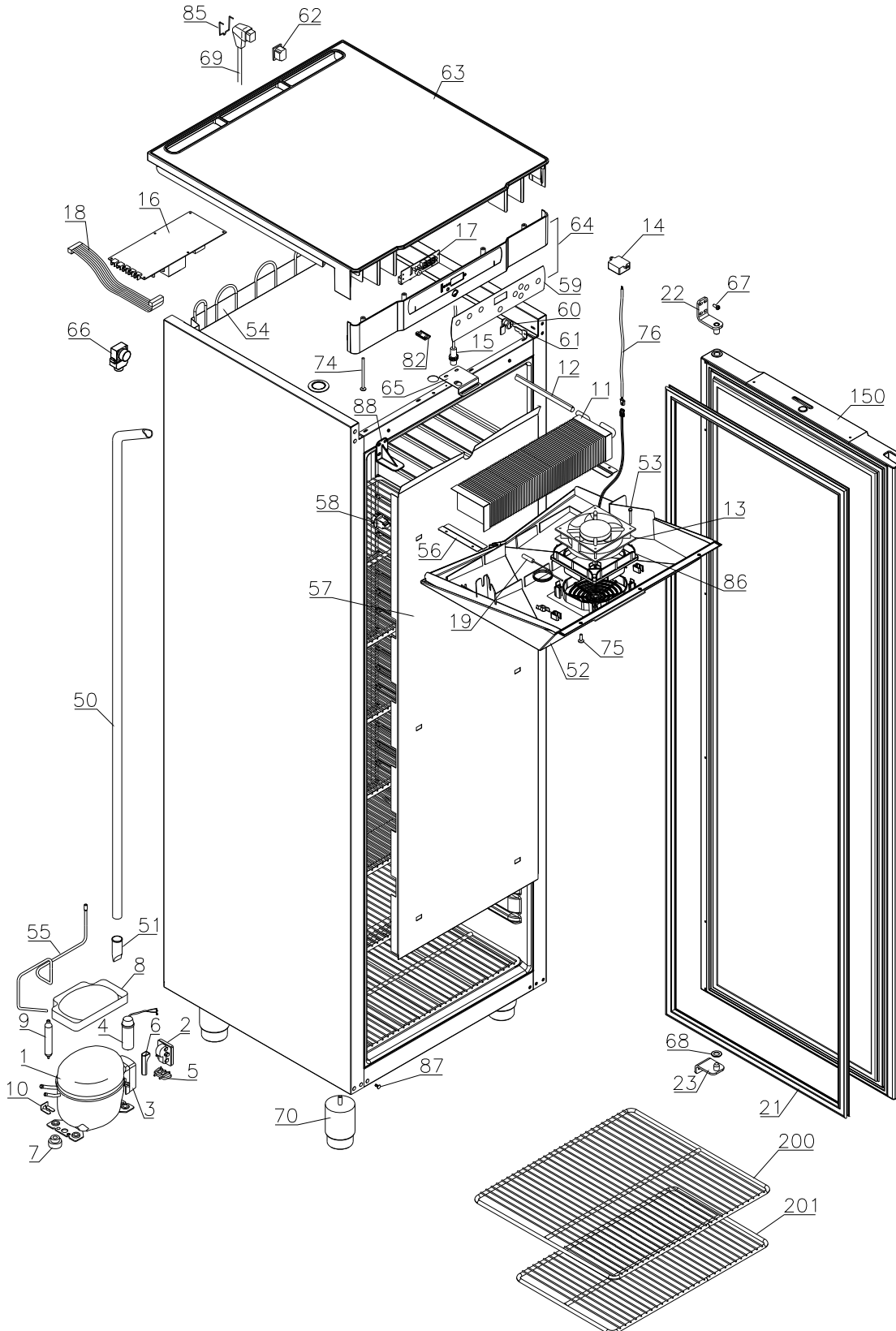


Description :

**Spare parts list for
 BIOBASIC RR 410**

Compiled.		Latest revision.			Deleted.	
Date	Name	Date	Name	Rev.no	Date	Name
02.09.15	JP	21.05.21	JP	005		

Exploded view



Description :

**Spare parts list for
BIOBASIC RR 410**

Compiled.		Latest revision.			Deleted.	
Date	Name	Date	Name	Rev.no	Date	Name
02.09.15	JP	21.05.21	JP	005		

Item no.	Description	Gram part no.	Week/year: Issued	Deleted
----------	-------------	---------------	----------------------	---------

Essential spare parts

RR 410 G

1	Compressor TLY6,5.KK.3	500550093	3715	
2	Starting device	453050178	3715	
3	Cover	452440293	3715	
4	Run capacitor 4 µF	451723513	3715	
5	Cord relief	452440300	3715	
6	Protection screen PTC	452440290	3715	

RR 410 H

1	Compressor TL4G	500550005	3715	
2	Starting device	453050178	3715	
3	Cover	452440293	3715	
5	Cord relief	452440300	3715	
6	Protection screen PTC	452440290	3715	

Common parts:

7	Rubber bush	760080519	3715	
8	Re-evaporation tray	410820001	3715	
9	Filter drier	761221321	3715	
10	Compressor clip	760082367	3715	
11	Evaporator	765080412	3715	
12	Heat exchanger	761221419	3715	
13	Evaporator fan 12V DC	765071196	3715	
14	Trafo for fan (kit)	761234127	3715	1521
14	Trafo for fan	765072987	1521	
15	Door switch	450400111	3715	
16	Electr.contr., power part K70	761256164	3715	
17	Electronic controller, display part	612900056	3715	
18	Band cable	765072661	3715	
19	Temperature sensor	453531501	3715	
21	Door gasket	761222729	3715	
22	Top hinge	761222906	3715	
23	Bottom hinge	761222904	3715	

Gram Commercial
Technical information

765041761

Description :

**Spare parts list for
BIOBASIC RR 410**

Compiled.		Latest revision.			Deleted.	
Date	Name	Date	Name	Rev.no	Date	Name
02.09.15	JP	21.05.21	JP	005		

Item no.	Description	Gram part no.	Week/year	
			Issued	Deleted

Other spare parts

50	Drain pipe	761221756	3715
51	Water trap	760082891	3715
52	Drip tray, white	761223101	3715
53	Screw for fan	420790001	3715
54	Condenser	761222775	3715
55	Re-evaporation pipework	760000323	3715
56	Evaporator suspension bracket	761223070	3715
57	Air distribution plate	761222998	3715
58	Suspension plug, grey	765081214	3715
59	Label for controller	765041712	3715
60	Door lock	765080093	3715
61	Key	761220166	3715
62	Appliance inlet	451022002	3715
63	Tabletop upper part, white	761222630	3715
64	Tabletop front, white	761232413	3715
65	Lock bracket	761222761	3715
66	Air relief valve	765081206	3715
67	Screw for hinge	420090100	3715
68	Washer	760250524	3715
69	Mains cable, EU	765072566	3715
69	Mains cable, UK	765072567	3715
69	Mains cable, DK	765072568	3715
70	Leg H=100-130 mm	765080118	3715
74	Screw M4x70	420178125	3715
75	Screw M4x16	422701019	3715
76	Fan wire	765072656	3715

Gram Commercial
Technical information

765041761

Description :

**Spare parts list for
BIOBASIC RR 410**

Compiled.		Latest revision.			Deleted.	
Date	Name	Date	Name	Rev.no	Date	Name
02.09.15	JP	21.05.21	JP	005		

Item no.	Description	Gram part no.	Week/year	
			Issued	Deleted
82	Cover plug, white	765081247	3715	
85	Brace for mains cable	761230215	3715	
86	Rubber gasket	761223110	3715	
87	Cover plug, white	765080504	3715	
88	Cover bracket, white	761222758	3715	
150	Door complete, white	761232771	3715	
200	Wire shelf large, white	818721001	3715	
201	Wire shelf small, white	818721019	3715	